



VAPOR CLEAN

PRO5 Solo

**Pro5 - 327° Single Boiler - 87 Psi - Stainless Steel -
Made in Italy.**

The Pro5's unique design and indicates how you want your surfaces. Pure and clean! Steam is simple...as are our Vapor Clean steam cleaners! One of the #1 recommended by Pest Control professionals across America and Canada for homeowners and business. Compare below how the Pro5 still stands as the best value for your money and highest quality for your investment. Constructed of materials chosen only to improve the quality, not cut corners and cost of materials. The accessories are identical to those of steam cleaners costing in the 1,000's. We actually include a few items that you would never receive with other brands.



Specifications

- Stainless Steel Cylindrical Insulated Boiler ASME AISI 304 18/10 Tungsten (TIG) welded boiler
- 327° = 0 – 87 psi / 6 bar – Single Boiler
- Variable Pressure Control Dial
- External Replaceable Heating Element
- Digital gauge displays pressure and temperature
- 16Lx13Wx12H - 13 lbs (empty); 17 lbs (with water in tank)
- Flexible hose with trigger switch control 15 Foot Electrical cordinterest-free.jpg
- 1600 watts Heating power – Amperage 12.5 – 110-120V – 9 minute heat up
- Single tank 1.8 liters – Functionally sized for optimal performance
- Copper Tubing - Brass Fittings - Double coated circuitry - Heavy gauge wiring
- A complete set of 24 excellent quality tools & accessories
- Extensive offering of optional accessories for that specific job or steam enthusiast. [View Here](#)
- Maneuverable – 4 heavy duty caster wheels for ease as it follows behind you
- LIFETIME Warranty - Boiler / Heating Element / External Housing
- 5 Year Parts Warranty
- Cart sold separately
- All Vapor Clean vapor steam cleaners are guaranteed new, and Individually tested at our factories

Built to last – Stainless Steel encases the highest quality components and a well refined design to ensure an extended life expectancy that has been proven for more than 20 years.

Powerful - Encased in this package is an amazing combination of temperature, pressure with less than 5% moisture dry steam. Deep clean naturally, sanitize, kill dust mites, bedbugs etc., as well if not better than any steam vapor cleaner or on the market. Clean easily and swiftly while sanitizing 99.9% of all germs in your home or business.

Simple – The power is in your hand.

Warranty - We are proud to offer the best warranty in the Industry as we believe we offer the best products.

Standard Accessories Included:

- 2 Extension wands
- Flexible hose
- Padded Triangle pad
- Accessory adapter
- Detail Nozzle
- 1 stainless, 1 Brass, 8 Nylon detail cleaning brushes
- Large Triangle w/ clips
- Floor brush w/clips
- Window squeegee
- Fill Bottle
- 2 Stainless Steel Scrubbies
- 2 16×16 Microfiber Towel



FAQ

1. When cleaning the floor, does the brush glide smoothly and easily across the floor?

When applying a mop pad or a folded cloth on the brush, this allows you to glide across hard surfaces. Also, the material is responsible for soaking up all of the dirt from the surface. What some people don't know is that the nylon bristles that line the floor brush are also important. These bristles give you additional help to be more abrasive if needed and give that added grip to your pad.

2. Is the steam trigger easy to operate?

There is only one button to push in order to receive steam through the hose. It's very easy to operate and safe to use as the button has to be pressed in order for the steam to emit. The option for the toggle switch hose is available if you would just prefer to flip the switch and go! This item is available in our accessories section.

3. How long does it take to heat up?

It takes ~9 min to 12 min to heat up. Then you're set until the unit runs out of water.

4. What happens when you run out of water? Is it easy to fill and how long does it take until you're able to use it again?

Well absolutely we have had the unit run out of water in the middle of being used. Usually it will give you a steady hour and ½ to two good hours before it runs out. Your "down-time" (as we call it) consist of you turning the unit off, refilling and reheating it. Our machines do not require a 20 minute cool down as many products on the market do. Most customers will admit that they can probably stand to take a break during that down-time, but some will actually prefer having continuous fill.

5. Is this machine easy to move around?

Definitely! This unit sets on four pivoting wheels allowing you to push, pull, bump or spin the unit in any which direction you so choose with a direct reaction to your action!

6. How do you charge less than \$700 for the Pro5 which seems to be half the price of many of the machines I see out there, and they are not even stainless steel?

Quite honestly – we could be charging more, but we aren't. We made a choice many years ago to make our line affordable to all. We see the overinflated costs of these products and services and we choose not to follow those guidelines bad times or good at our customers expense. We believe in long term reward. Our TR5/Pro5 has stood the test of time and the referral sales on this product continue to be astounding! As for quality, we continue to maintain the highest quality materials and components to make this machine the best in America in it's class.

7. Do you have to use distilled water in this machine or can my sink (tap) water be ok?

There is no harm in using your tap water at all – unless it is especially rich in mineral content. In which case, you should consider distilled, spring or bottle drinking water.

FAQ Cont'd

8. I have read a lot of machines say that you cannot pull these by the hose. What is the point of a canister?

We are not the ones that require this. Of course you can pull the Pro5 from the hose and you will love the way it glides around behind you without effort.

9. Do you leave the water in the machine after you are done using it or do you have to empty it every time? If you have to empty it, is it hard to do?

There's no real reason to have to empty your boiler in between use. The boiler is made of a commercial grade stainless steel, capable of handling water storage. However, if you know you won't use the machine for another few months, you might want to consider dumping it out. To do so, just tip it upside down in the sink and let it pour out. Please wait until it has cooled down though, it can burn you!

10. How do I store it?

Well most people store their steam cleaners in the hall closet next to their vacuum cleaner or in their garage. Now for commercial owners, we've found that often times they will keep the original box and keep it in that tucked over in a corner somewhere. Where ever you find it easily accessible depending on your need for it.



Pro6 Duo

Pro6 Duo - 327° Continuous Refill - 87 Psi Stainless Steel - Made in Italy.

Our Pro6 has evolved into an extremely functional, reliable and highly rated machine by our customers in business and home alike. Our intentional design affords the Pro6 a fast heat while providing a well maintained pressure. The powerful 1750 watt element allows for faster heating and quick recovery. The Pro6 reservoir holds 2 additional quarts for long time running before adding additional water into the reservoir. Our Pro6 is a convenience and a luxury for the homeowner, but a necessity for the business owner. Our full service warranty includes 1 year defective Parts & Labor and lifetime boiler and heating element replacement.



The most affordable Quality Commercial Continuous Fill on the market.

Built to Last - The commercial stainless steel housing and stainless 18/10 AISI 304 quality boiler speak for itself. The Pro6 Duo offers such features as an industrial grade detachable hose with accessories to match. Internally, every component is the best available on the market. Using only the highest quality and longest lasting durable parts available. Copper Tubing, Brass Fittings, Double coated circuitry, heavy gauge wiring, additional insulation.

Features - Adjustable pressure regulator allowing you to control the amount of steam/pressure output for your specific cleaning task. The pressure gauge will give you an exact indication at all times to optimize your cleaning. Audible low water beeper, 1750 watt element for fast recovery. Designed with a portable size, maneuverability, rubber bumper and rounded edges. No sharp edges or extruding parts to damage furniture, autos or shins while cleaning.

Specifications

- 327° = 0 - 87 psi / 6 bar
- Commercial Grade Stainless Housing, Accessories and Components
- Stainless Steel Insulated Boiler AISI 304 18/10 Tungsten (TIG) Welded boiler - Lifetime Warranty
- 1.8 capacity - 2 Qt. reservoir...non-stop 24/7 cleaning time 9 minute heat up
- Replaceable Heating Element - Lifetime Warranty
- Powerful 1750 watt element for faster recovery, low 13 amp draw.
- Variable Pressure Regulator
- Accurate read pressure gauge
- 12Lx12Wx11.5H - 15 ft electrical cord
- 9.75 ft extended length detachable Hose w/ Safety Handle and fingertip control
- Audible beeper notification when reservoir needs refilling
- 14 lb empty - 18 - 20 lbs full
- A complete set of 31 excellent commercial tools & accessories
- Large selection of optional accessories [View Here](#)
- 4 Large Casters for easy mobility & durability
- All Vapor Clean vapor steam cleaners are guaranteed new, and Individually tested at our factories.
- Made In Italy for USA
- **LIFETIME WARRANTY** - Boiler / Heating Element / Housing & 5 years parts.

Standard Accessories Included:

- 2 Extension wands
- Floor brush w/ clips
- Carpet Glider
- Triangle brush w/ clips
- 9.5 Flexible hose
- Window squeegee
- Jet Nozzle with single hole
- Jet Nozzle with 3 holes
- Jet Nozzle - Extended length
- Medium round brush
- Medium triangle brush
- 2 Stainless, 7 Nylon, 1 Brass detail cleaning brush
- Water Fill Bottle
- 2 Stainless Scrubbies
- 2 16x16 Microfiber Towel



Pro 6 FAQ

1. When cleaning the floor, does the brush glide smoothly and easily across the floor?

When applying a mop pad or a folded cloth on the brush, this allows you to glide across hard surfaces. Also, the material is responsible for soaking up all of the dirt from the surface. What some people don't know is that the nylon bristles that line the floor brush are also important. These bristles give you additional help to be more abrasive if needed and give that added grip to your pad.

2. Is the steam trigger easy to operate?

There is only one button to push in order to receive steam through the hose. It's very easy to operate and safe to use as the button has to be pressed in order for the steam to emit. The option for the toggle switch hose is available if you would just prefer to flip the switch and go! This item is available in our accessories section.

3. How long does it take to heat up?

It takes ~9 min to 12 min to heat up. Then you're set until the unit runs out of water.

4. What happens when you run out of water? Is it easy to fill and how long does it take until you're able to use it again?

Well absolutely we have had the unit run out of water in the middle of being used. Usually it will give you a steady hour and ½ to two good hours before it runs out. Your "down-time" (as we call it) consist of you turning the unit off, refilling and reheating it. Our machines do not require a 20 minute cool down as many products on the market do. Most customers will admit that they can probably stand to take a break during that down-time, but some will actually prefer having continuous fill.

5. Is this machine easy to move around?

Definitely! This unit sets on four pivoting wheels allowing you to push, pull, bump or spin the unit in any which direction you so choose with a direct reaction to your action!

6. How do you charge less than \$700 for the Pro5 which seems to be half the price of many of the machines I see out there, and they are not even stainless steel?

Quite honestly – we could be charging more, but we aren't. We made a choice many years ago to make our line affordable to all. We see the overinflated costs of these products and services and we choose not to follow those guidelines bad times or good at our customers expense. We believe in long term reward. Our TR5/Pro5 has stood the test of time and the referral sales on this product continue to be astounding! As for quality, we continue to maintain the highest quality materials and components to make this machine the best in America in it's class.

7. Do you have to use distilled water in this machine or can my sink (tap) water be ok?

There is no harm in using your tap water at all – unless it is especially rich in mineral content. In which case, you should consider distilled, spring or bottle drinking water.

8. I have read a lot of machines say that you cannot pull these by the hose. What is the point of a canister?

We are not the ones that require this. Of course you can pull the Pro5 from the hose and you will love the way it glides around behind you without effort.

9. Do you leave the water in the machine after you are done using it or do you have to empty it every time? If you have to empty it, is it hard to do?

There's no real reason to have to empty your boiler in between use. The boiler is made of a commercial grade stainless steel, capable of handling water storage. However, if you know you won't use the machine for another few months, you might want to consider dumping it out. To do so, just tip it upside down in the sink and let it pour out. Please wait until it has cooled down though, it can burn you!

10. How do I store it?

Well most people store their steam cleaners in the hall closet next to their vacuum cleaner or in their garage. Now for commercial owners, we've found that often times they will keep the original box and keep it in that tucked over in a corner somewhere. Where ever you find it easily accessible depending on your need for it.

VAPOR CLEAN

PRO5 Solo

OPERATING INSTRUCTIONS MANUAL



FOREWORD

This manual is an integral part of the appliance and contains all the necessary information for its operation and maintenance.

Before starting using this appliance please carefully read this instruction manual.

For any further information, spare parts or accessories please contact your nearest retailer.

Please keep this manual in a safety place for your consultation.

WARNING

INTENDED USE:

This appliance has been designed exclusively for the following functions:

- Steam cleaner up to 327°F

Any other operation should be considered against its designed purpose

This machine is not intended for use by persons (including children) with a lack of experience and knowledge

The manufacturer is not responsible for any damage arising from an unauthorized modification of the machine. The appliance has been made in compliance with all safety regulations.

VAPOR CLEAN

PRO5 solo

CONTENTS

Accessories	page	4
Control panel	page	5
Technical Data	page	5
Safety	page	5
Starting up	page	6
Maintenance	page	8
Cleaning after use	page	8
Special maintenance	page	8
Accident prevention-rules	page	9
Electricity related risks	page	9
Waste and Recycling	page	9
Malfunctions	page	10
Warranty	page	10
Declaration of CEE conformity	page	11



Please pay attention when you see this symbol;
It indicates possible operations or situations which
might be hazardous.

VAPOR CLEAN

ACCESSORIES



FLEXIBLE HOSE WITH PISTOL GRIP

The steam generation is provided by pushing the button on the hand grip, the system is studied to grant the maximum practicality.



EXTENSION WANDS

The extension wands can be used in pairs or single depending on the desired distance, they should be used with floor brush, triangle brush or detail attachment.



JOINT ATTACHMENT

To be used to attach the multipurpose brush and/or the triangle brush to the extension wand.



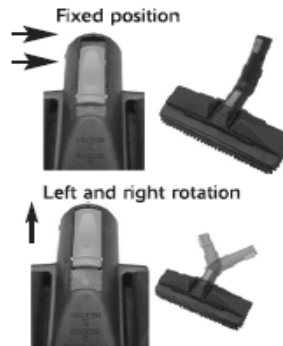
FLOOR BRUSH (MULTIPURPOSE BRUSH)

Ideal to clean large surfaces. The use of the brush with the microfiber towel (optional) is ideal to clean delicate surfaces such as wooden floors.



TRIANGLE BRUSH

Ideal to clean mattresses, sofa's, armchairs, car seats other upholstery product and in general all the difficult to reach areas that are not possible to reach with the floor brush.



CURVED STEAM JET NOZZLE

The nozzle produces a concentrated steam flow that allows to deep cleaning very dirty surfaces or difficult to reach places, such as tiles grout, bath sanitary, ovens, radiators, blinds, step corners, car wheels. The small round brushes can be attached to improve the cleaning applications. Thanks to the combinations of the steam power and the mechanical action of the brush bristles it is possible to remove the most stubborn dirt.

With jet nozzle it is possible to steam delicate surfaces at desire distance such as tends, lamps or refresh cloths and plants.



WINDOW SQUEEGEE

Ideal to clean glass, tiles, windows and other smooth surfaces.



TRIANGLE CLOTH

Suitable to clean sofa's, chairs, garments, and any other surfaces where the triangle shape of the tool can help to clean hard to reach places.

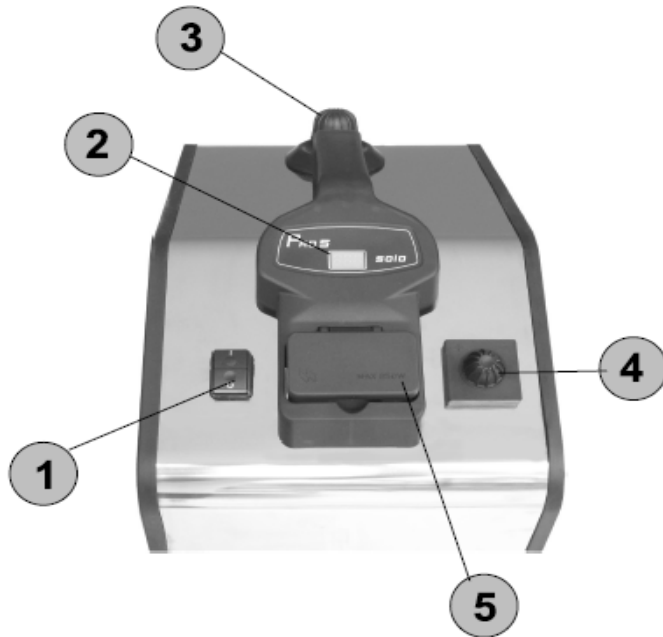


RECTANGULAR CLOTH AND PAD (OPTIONAL)

To be used together with multipurpose brush to clean delicate surfaces, such as wooden floors, furniture's.

CONTROL PANEL

1. Main switch
2. Display
3. Water cap
4. Steam regulator
5. Socket



TECHNICAL DATA

• Electric power supply	PRO5 solo
• Total max power	120 V – 60 Hz
• Boiler capacity	1,6 kW
• Refill tank capacity	1,9l
• operating pressure	–
• Allowable pressure	600kPa (87Psi)
• Empty weight	800kPa (114Psi)
• Dimensions (mm)	6 kg
• Boiler steam max temperature	470x275x320
	327° F

SAFETY DEVICES

- Over-pressure safety valve (on the filler cap)
- Protection IPX4
- Electronic power control
- External main switch
- Auto-diagnosis at each switch-ON
- Handle switches in low tension



Steam symbol
Attention: Danger burns



Steam symbol
Attention: Danger burns

Water filling PRO5 solo

Check that the cord plug is not inserted in the main electric socket, **slowly** remove the pressure cap to take out the possible steam or pressure residuals and **slowly** fill about 2 liters of simple tap water.

Close with its cap.

When the water in the boiler ends up the display shows the H₂O signal.

“Do not fill any chemicals, detergents or essences on the refill tank, this operation may cause serious damages to the boiler and to the automatic refill system. The manufacturer is not responsible for any damage caused by improper use.”

- Over-pressure safety valve is on the filler cap

Preparation

Open the front cover and insert the flexible hose. The particular design of the socket allows a perfect and simple connection.

Important!

Push the hose plug in the socket till the click sound of the release button.

Plug into a 120 V; 60Hz socket outlet with grounded connection.

The socket shall be protected against short circuits and earth defaults (16A e Id=30 mA differential thermomagnetic switch).

From the main switch turn the appliance ON.
The heating of the boiler starts. The display shows a fixed (no flashing) temperature or pressure.
NOTE: At the first heating up the air inside the boiler does not allow the correct steam generation.
Therefore it is necessary to leak the exceeding air by pushing a couple of times the steam switch on the flexible hose pistol grip.
The appliance is now ready to generate continuous steam. The power of the steam ensure a perfect hygiene able to melt even the most resistant dirt without the usage of dangerous solvents or pollutant chemical additives.
It is an home appliance that respect the environment!!

PRECAUTIONS

Choose the accessory suitable for the surface to be treated and connect it to the extension hose or to the flexible hose pistol grip.

Multipurpose brush with clips

For large surfaces use the multipurpose brush. Provided with two bristles lines this brush is suitable for hard surfaces: Marble - Tiles - Ceramic.

The brush is provided with 2 clips on its top that should be used as cloth holders and will be of best utility.

The cloth offers a great absorbing power and has been studied to weakens the steam power and to reduce the brush friction during the cleaning of delicate surfaces such as: wood - laminated plastic - Parquet - Cotto.

Attention: Never direct the steam jet onto appliances with electrical components.

Attention: To avoid the risk to get burnt never touch the steam jet with hands, Attention do not direct the steam jet to the feet, to other persons or animals.



Attention: Do not use the steam jet directly on furniture covered by natural leather or synthetic leather, velvet, fabrics and other delicate surfaces.

These materials can be cleaned using the multipurpose brush wrapped with a cloth and kept by the apposite pliers positioned on the brush.

Attention: During the change of the accessory be careful to stop the steam.

A buzzer and the display with H₂O signal will advise the user when the water in the refill tank ends up.

Refill the water as per the previous instructions stated in the water refill and preparation paragraph.

Now the appliance is ready to re-start its operation by simply pushing the steam switch on the handle.

VAPOR CLEAN

MAINTENANCE

Always disconnect the machine from the electrical mains after use and before carrying out any cleaning or service operation on the appliance.

CLEANING OF THE MAIN UNIT BODY

To keep the appliance always in good appearance and brighting it is sufficient to periodically clean it, after having unplug the unit, with a soft wet cloth.

Do not deep the appliance in the water or other liquids. Do not use alcohol, inflammables liquids or other solvents.

It is recommended to periodically check the power cord: if it is noticeable that is worn out or if there are any abrasions, skretches or defects please contact the nearest service centre.

SPECIAL MAINTENANCE

The following interventions shall be made only by qualified persons. If possible please contact the service center for the technical assistance.

Boiler clean up from limestone: every 8-12 months.

- The appliance shall be cold and OFF for at least 3 hours.
- Unplug from the main current socket.

Turn the appliance upside down and empty the refill tank.

- Unscrew the boiler drainage nut with a suitable key.
- Empty the boiler from the contained water.

With a funnel fill 2 glasses of vinegar and 2 glasses of water in the boiler.

- Let it stand for 8 hours.
- Empty the boiler and rinse with water than close it again carefully.

Before starting to work again it is recommended to direct the steam jet in the air for few seconds in order to take out the smell of vinegar.

BOILER RESETING

The boiler resetting activates in case of malfunctions.

In such a cases it is necessary to bring the appliance to the service center.

ACCIDENT PREVENTION-RULES

For the use of this appliance it is necessary to have read and understood this manual.

Before starting to operate this appliance it is necessary to familiarize with the commands and follow the instructions of this manual.

Keep the children far from the appliance even when it is OFF. Do not operate this appliance for improper usages.

Do not use this appliance for cleaning or maintenance works.

Do not leave or abandon the appliance connected to the main power supply.

The power cord shall be unplugged before the boiler is refilled with water.

It is absolutely prohibited to operate the appliance with the fixed or movable protection disassembled and or without the safety devices.

In the case the power cord of the appliance or of the iron is damaged it shall be replaced by the manufacturer or by qualified persons.

It is absolutely prohibited to remove or damage the safety devices.

The manufacturer declines all responsibilities for any damages arising from any unauthorized modification of the appliance.

ELECTRICITY RELATED RISKS

- Electrical cable damage
- Water leaks
- Always wear shoes while using the appliance

HEAT RELATED RISKS

- Over-pressure safety valve is on the filler cap
- Do not direct the steam jet against other people or animals
- Overheating



Steam symbol
Attention: Danger burns



WASTE AND RECYCLING

The materials of this appliance shall not be discarded in the environment. For their waste please consult the public center for the discard or the supplier.

USER INFORMATION

Enforcement of EC Directives 2002/95/EC, 2002/96/EC and 2003/108/EC, regarding the restriction of the use of certain hazardous substances in electrical and electronic equipment and waste disposal



The symbol of a crossed-out bin on the equipment indicates that when this product reaches its end of life it should be collected separately from other waste.

Therefore, at the products end of life the user should deposit the equipment in a designated differentiated waste centre for electronic and electro-technical waste, or return it to the retail point on an exchange basis when purchasing another similar piece of equipment. Segregated waste collection enables the decommissioned products to undergo recycling, processing or be disposed of in an environmentally sound manner. This helps to avoid any potentially negative effects on health and the environment and makes it possible for the components of the equipment to be recycled. Unauthorised disposal of the product by the user will be punished in accordance with the legal sanctions in force.

MALFUNCTIONS

In case of malfunctions it is necessary to consult a Technical Service Center authorized by the manufacturer. In particular it should be taken into consideration the possible troubles:

- Steam or water emission from the base of the appliance (possible inner leakages or hose breakages).
- Water emission from the accessory instead of steam (heating element or water level sensor damaged or manual thermostat to be reactivated).
- Backup relay switching ON when plugging in (shortcircuit of some components).
- Power cable or iron failure (abrasions or cut).

WARRANTY

The warranty is recognized according to the existing laws starting from the date of sales and within the territory borders.

During the warranty period all the particulars that will be judged to be defective in material or workmanship by our technical service centre will be replaced free of charges.

Transportation and packing costs of the parts to be repaired are on the purchaser's account.

The warranty will expiry if one of the following cases will occur:

- It has been not respected the instructions written in this manual.
- Any modification done on the appliance without the written consent from the manufacturer.
- Repairs done by unauthorized people.
- Original parts are replaced with different made parts.

- The appliance is used differently from how recommended.
- Damage occurred during transportation, or under any circumstances which cannot be considered as production defects.
The warranty automatically expires for any repairs, replacements and interventions that have been done without our previous authorization.
In any case the purchaser cannot claim for damages of any type or caused.
For any dispute the competent court is the one of Bassano del Grappa (Vicenza - Italy)

CE DECLARATION OF CONFORMITY

The manufacturer, **STI srl** declares under his own responsibility that this appliance complies with the essential safety rules provided by European Directives:

SAFETY

2006/95/EC DIRECTIVE
2006/42/EC DIRECTIVE
and it complies with the following armonized standards:
EN 60335-1
EN 60335-2-79

COMPATIBILITY

2004/108/EC DIRECTIVE
EN 61000-3-2
EN 61000-3-3
EN 55014-1
EN 55014-2
EN 62233

ROHS

2011/65/EU DIRECTIVE

© copyright **STI srl**,
" Divuligation or reproduction is prohibited even partially "
Data, specifications and equipment described in this manual are not binding and may be changed without prior notice.

VAPOR CLEAN

CE



Pro6 Duo



USER MANUAL

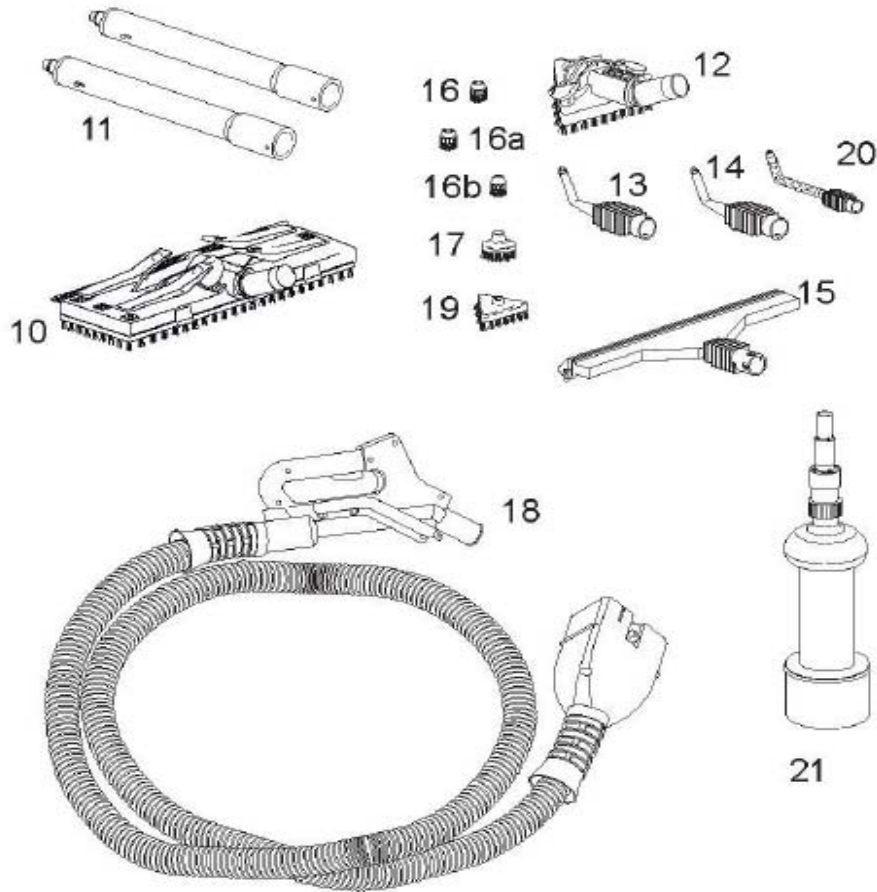
1. Description of the Pro6 Duo



APPLIANCE	GRIP/HANDLE FUNCTIONS
<p>1 Tank cap 2 Carry handle 8 Steam adjustment knob 9 Monobloc socket</p> <p>**Control Panel 3 ON/OFF Switch 4 Iron or boiler ON/OFF Switch 5 LowWater Boiler LED 6 Boiler Ready LED 7 Pressure Gauge</p>	<p>G1. Steam output button</p>



2. Description of Accessories



- | | | | |
|----|--------------------------------------|-----|-------------------------------------|
| 10 | Rectangular brush with bristle cover | 16a | Small round brush (brass) |
| 11 | Extension tubes | 16b | Small round brush (stainless steel) |
| 12 | Triangular brush | 17 | Round brush |
| 13 | One hole nozzle | 18 | Grip unit |
| 14 | Three holes nozzle | 19 | Small triangular brush |
| 15 | Window cleaner | 20 | One hole nozzle L=250 mm |
| 16 | Small round brush (nylon) | 21 | Dosing bottle |

Important: some of the described accessories may not be included in the pack, if optional.

3 . Important Safety Instructions

1. Carefully read the instructions contained in this handbook because they provide important information concerning use and maintenance.
2. After removing the packing, check the good condition of the generator, paying attention to the generator casing.
3. Dispose of the packing plastic bags, as children could use them for their games and be suffocated.
4. In case of doubt, do not use the appliance; contact qualified personnel.
5. Before connecting the appliance, make sure the machine is only plugged into a standard US electrical outlet.
In case of incompatibility between the socket and the generator plug, do not
6. remove the ground plug from the electrical cord. Use an adapter designed for the purpose of using with outdated electrical outlets without ground receptacles.

7. In general it is inadvisable to use adapters, multiple sockets and/or extensions: whenever their use is indispensable, only use single adapters or multiple adapters and extensions complying with current safety standards.
8. Do not use the product if the cord or plug are damaged. Do not use the product after any anomalous functioning. In this case, switch it off, without tampering with it. For possible cable replacement or repair, see an Authorized Technical Assistance Centre.
9. If the machine is dropped or tips over, immediately switch it off and disconnect the power plug.
10. This generator must only be used for the purpose for which it is expressly designed, i.e. for household cleaning. Any other use is deemed improper and therefore dangerous. The manufacturer cannot be held responsible for any damage due to improper, correct or unreasonable use.
11. Do not use the appliance in the presence of explosives, highly flammable substances, gas or flames.
12. Never leave the generator unattended in the presence of children.
13. Do not let children or incompetent persons use the appliance unless adequately supervised.
14. Disconnect the plug from the socket when the appliance is not being used, before filling or emptying the tank or before any cleaning or maintenance operation.
15. When deciding to no longer use this appliance, make sure to render it unusable. After removing the plug from the socket, cut off the power cord! Also make sure to render harmless all those parts that could constitute a potential danger, especially for children, who could use the unserviceable appliance for their games.



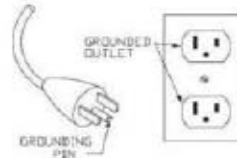
WARNING! Danger of scalding. Never direct the hot steam jet at persons, animals, power outlets, electrical appliances or for cleaning the appliance.

Grounding instructions

This appliance must be grounded. If it should malfunction or breakdown, grounding provides a path of least resistance for electric current to reduce the risk of electric shock. This appliance is equipped with a cord having an equipment-grounding conductor and grounding plug. The plug must be inserted into an appropriate outlet that is properly installed and grounded in accordance with all local codes and ordinances.

WARNING – Improper connection of the equipment-grounding conductor can result in a risk of electric shock. Check with a qualified electrician or service person if you are in doubt as to whether the outlet is properly grounded. Do not modify the plug provided with the appliance – if it will not fit the outlet, have a proper outlet installed by a qualified electrician.

This appliance is for use on a nominal 120-volt circuit and has a grounding attachment plug that looks like the plug illustrated the Figure. Make sure that the appliance is connected to an outlet having the same configuration as the plug. No adaptor should be used with this appliance.



SAVE THESE INSTRUCTIONS

4. Getting started

Remove the tank cap (1), and fill the tank with approx. 2 litres of tap water. Distilled water can also be used only by adding one to two glasses of tap water. Refit the cap and connect the power cable to the electrical socket.

Turn the appliance on by pressing the switch (3); just after (4).

The appliance starts to get hot with the green light (6) flashing. The appliance is ready to use as soon as the green becomes solid. During use the green light will flash periodically and this is normal.

Open the door of the monobloc socket (9) and connect the grip unit plug. Make sure to correctly fit the plug.

After connecting the plug, press the trigger (G1) on the handle to deliver steam.

Attention! In the event of sudden power failure or accidental disconnection of the plug from the mains, the unit switches to safety mode (indicator E off). To restore the normal conditions of use disable and re-enable the switch B.

5. Use of the accessories

All the accessories are fitted in the same way.

Fit the required accessory on the gun of the flexible tube.

Caution! Make sure to work initially with a weak jet of steam and increase the intensity of steam according to needs, by operating the knob (8).

Rectangular brush (10)

Used to clean hard floors, or for cleaning floors or surfaces in wooden, parquet, carpets and mats. For cleaning delicate floors, it is advisable to wrap the brush with the cloth supplied or a rag, fixing it to the brush with the handy clips.

To clean carpets and mats, it is advisable to insert the bristle cover accessory for sliding on the surfaces to be treated without ruining the fibres; spray the steam carefully with a weak jet, then clean with the brush wrapped with the rag.

For stubborn dirt or residuals of previously used deteratives, several treatments will be necessary in order to obtain a satisfactory and even result.

For the subsequent treatment, repeat the procedure using a dry rag wrapped on the brush.

Cleaning walls and ceiling

Connect the extension tubes when necessary and fit the brush equipped with bristle cover and dry rag.

Extension tubes (11)

With these accessories, combined with the flexible tube, it is possible to clean floors, in combination with the brushes and with the other accessories, on high or hard to reach surfaces, cupboards, doors, stairs, etc. Caution: after several minutes use, these accessories can scald, therefore it is advisable to wait a few minutes before detaching them.

Triangular brush (12)

The same use as the rectangular brush, where the use of the latter is inconvenient.

One/Three hole nozzle (13-14-20)

This accessory can be used individually, or in combination with the brushes 16 and 17 which fit on the accessory. It is used for cleaning all those areas that cannot be reached with other accessories.

This accessory is particularly recommended for removing dirt and grease from:

- joints on work surfaces, join grooves or cracks
- oven hoods or glass
- steel or enamelled sinks
- wash-basins, bathtubs, bidets, WCs, showers, taps
- doors, windows and stairs

Window cleaner (15)

This accessory is useful for cleaning windows or smooth surfaces such as bathroom tiles, shower panels, etc.

Small triangular brush (19) (use with 3 Hole Nozzle)

Use to get into corners. Attach the 3 hole nozzle to the hose handle and then the brush to the nozzle. Set the steam dial to medium pressure for stovetops, kitchen countertops, kitchen or bathroom sinks, dishwasher interior, fiberglass bathtubs, and glass shower doors. You can spray a natural cleaner of your choice on the surface to be cleaned if the area is extremely dirty. The steam will enhance the cleaning power of the steam.

6. Continuous filling

This appliance is equipped with continuous filling. In fact, if the water finishes, the boiler can be filled without switching the appliance off and waiting for it to cool. To refill, proceed as follows: simply remove the tank cap and add water, close the cap and resume cleaning work.

7. Maintenance

IMPORTANT! Before carrying out any type of maintenance, turn the machine off and disconnect from the mains.

As the appliance works with tap water, regular antiscald treatment is necessary to ensure its long life and efficient operation. The frequency of treatment depends on the type of water and the length of use. With water of average hardness (10°-15°) and normal; domestic use, antiscald treatment is recommended at least every three months.

Then proceed as follows:

Empty the boiler by unscrewing the drain plug located under the machine. Caution: only unscrew the plug when the appliance is cold and completely discharged of steam.

Refit the drain plug.

Fill the tank with approx. 2 litres of water and add an normal antiscald product in the recommended quantity, then re fit the plug.

Turn on the main switch and the steam switch.

Wait for the green light to come on.

Turn off the switch (4) immediately and completely discharge the remaining steam by means of the trigger on the handle.

Allow the appliance to cool for a few hours.

Empty the appliance and rinse the tank with clean water at least twice. If using a water-vinegar solution, leave the appliance for a few hours or over night before emptying it, then rinse thoroughly and repeatedly.

8. Technical specifications

Generator

Power supply	120V-60Hz
Boiler power	1750W
Tank capacity	2 l
Steam pressure	6 bar/600 kPa
Steam temperature	155°C
Max. power	1800W
Boiler internal capacity	1,8 l

Composition

Casing in stainless steel
Boiler in stainless steel
Pressure switch set to 6 Bar
Steam outlet control solenoid valve
Siliconed electrical wires

Safety

Temperature safety thermostat
Safety valve
Extra low voltage on the handle

9. Troubleshooting

PROBLEM	CAUSE	SOLUTION
Boiler fails to heat up .	Device not plugged in. Button 3 and/or 4 not pressed. Boiler empty.	Plug into mains. Press button 3 & 4. Fill tank water.
Machine safely.	LED 6 off mode.	Switch off and on switch 4.
Yellow LED 5 on .	Low water level.	Fill tank water .
No steam or only water coming out.	Boiler not ready yet, green LED is blinking. Boiler is overfilled.	Wait for steady green LED. Too much distilled water.
The steam ready led is on but no steam comes out.	The monobloc socket is not completely closed. The steam regulator is completely closed.	Check the monobloc socket is correctly fitted to the appliance. Open the steam regulator.

10. Information for users

According to Directives 2011/65/EU and 2012/19/EU on the reduced use of hazardous substances in electrical and electronic equipment, and their disposal, the barred bin symbol means that at the end of its useful life the product must be disposed of separately from ordinary waste.

The user must therefore take such equipment to proper collection centres for electrical and electronic waste, or take it back to the dealer when he buys some equivalent equipment, in the ratio of 1:1.

A suitably differentiated waste collection, followed by recycling, treatment and environmentally friendly disposal helps prevent negative effects on health and the environment and favours the recycling of materials.

Any unauthorized equipment disposal by the user will be subject to sanctions as provided for by current local regulations.



CE